

McCULLOCH®

PARTNER

ILLUSTRATED PARTS LIST

TIVOLI 45-60 EUROMAC H60 PARTNER PH25

SERIAL NUMBER PREFIX 06



June 2002

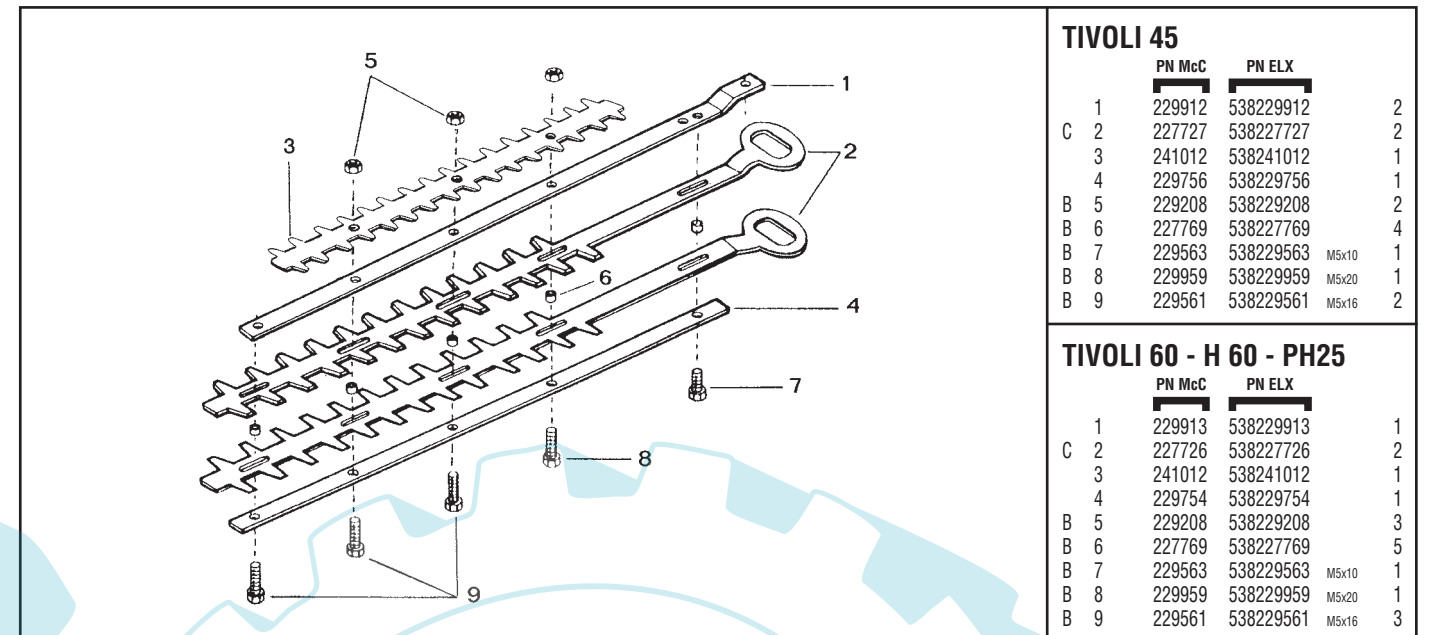
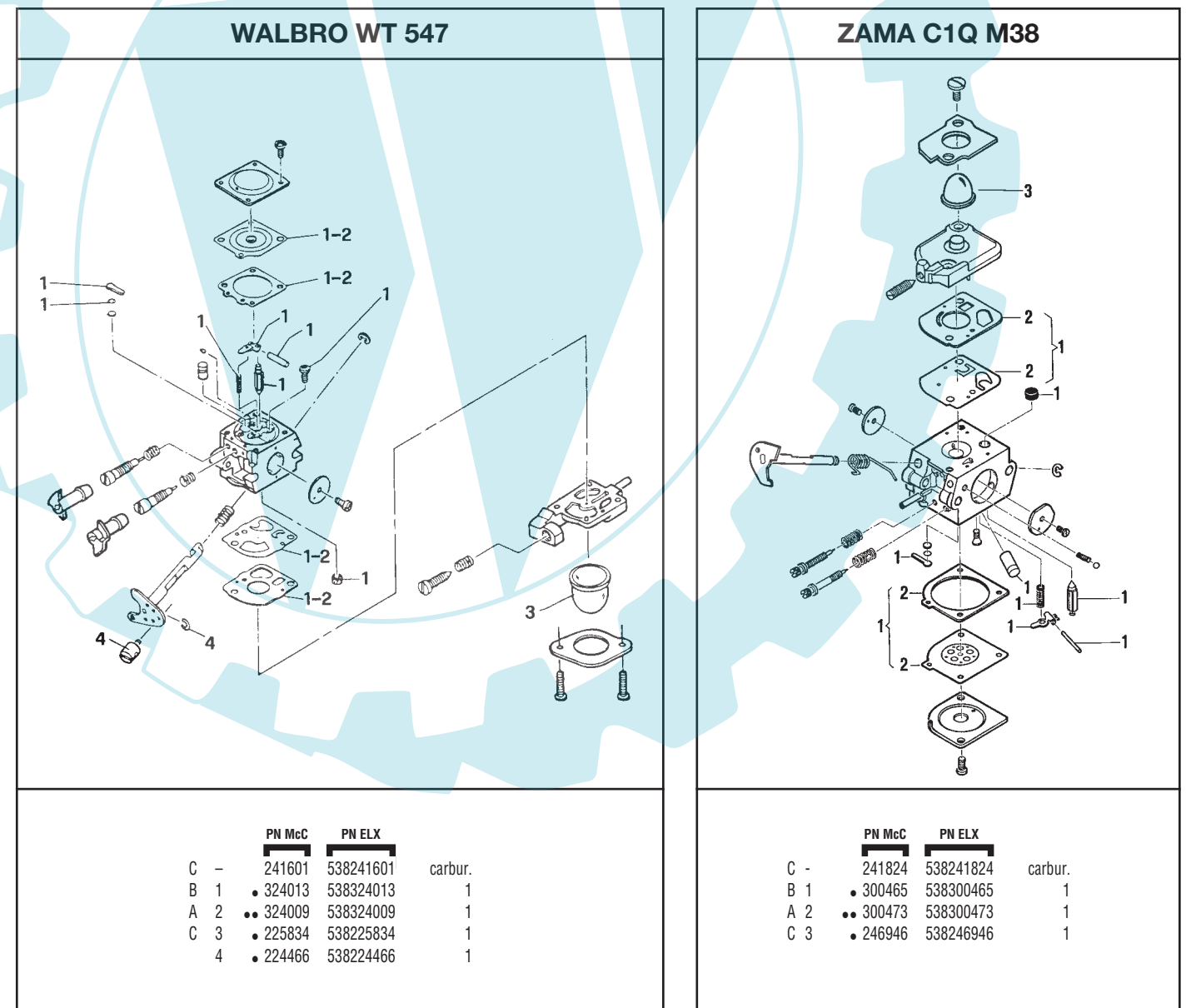


FIGURE 3

TIVOLI 45			
	PN McC	PN ELX	
1	229912	538229912	2
C 2	227727	538227727	2
3	241012	538241012	1
4	229756	538229756	1
B 5	229208	538229208	2
B 6	227769	538227769	4
B 7	229563	538229563	M5x10 1
B 8	229959	538229959	M5x20 1
B 9	229561	538229561	M5x16 2

TIVOLI 60 - H 60 - PH25			
	PN McC	PN ELX	
1	229913	538229913	1
C 2	227726	538227726	2
3	241012	538241012	1
4	229754	538229754	1
B 5	229208	538229208	3
B 6	227769	538227769	5
B 7	229563	538229563	M5x10 1
B 8	229959	538229959	M5x20 1
B 9	229561	538229561	M5x16 3



	PN McC	PN ELX	
C -	241601	538241601	carbur.
B 1	• 324013	538324013	1
A 2	•• 324009	538324009	1
C 3	• 225834	538225834	1
4	• 224466	538224466	1

	PN McC	PN ELX	
C -	241824	538241824	carbur.
B 1	• 300465	538300465	1
A 2	•• 300473	538300473	1
C 3	• 246946	538246946	1

FIGURE 4

A = high moving - alta rotazione - haute demande - große Nachfrage
 B = medium moving - media rotazione - moyenne demande - mittelmäßige Nachfrage
 C = slow moving - bassa rotazione - basse demande - wenige Nachfrage

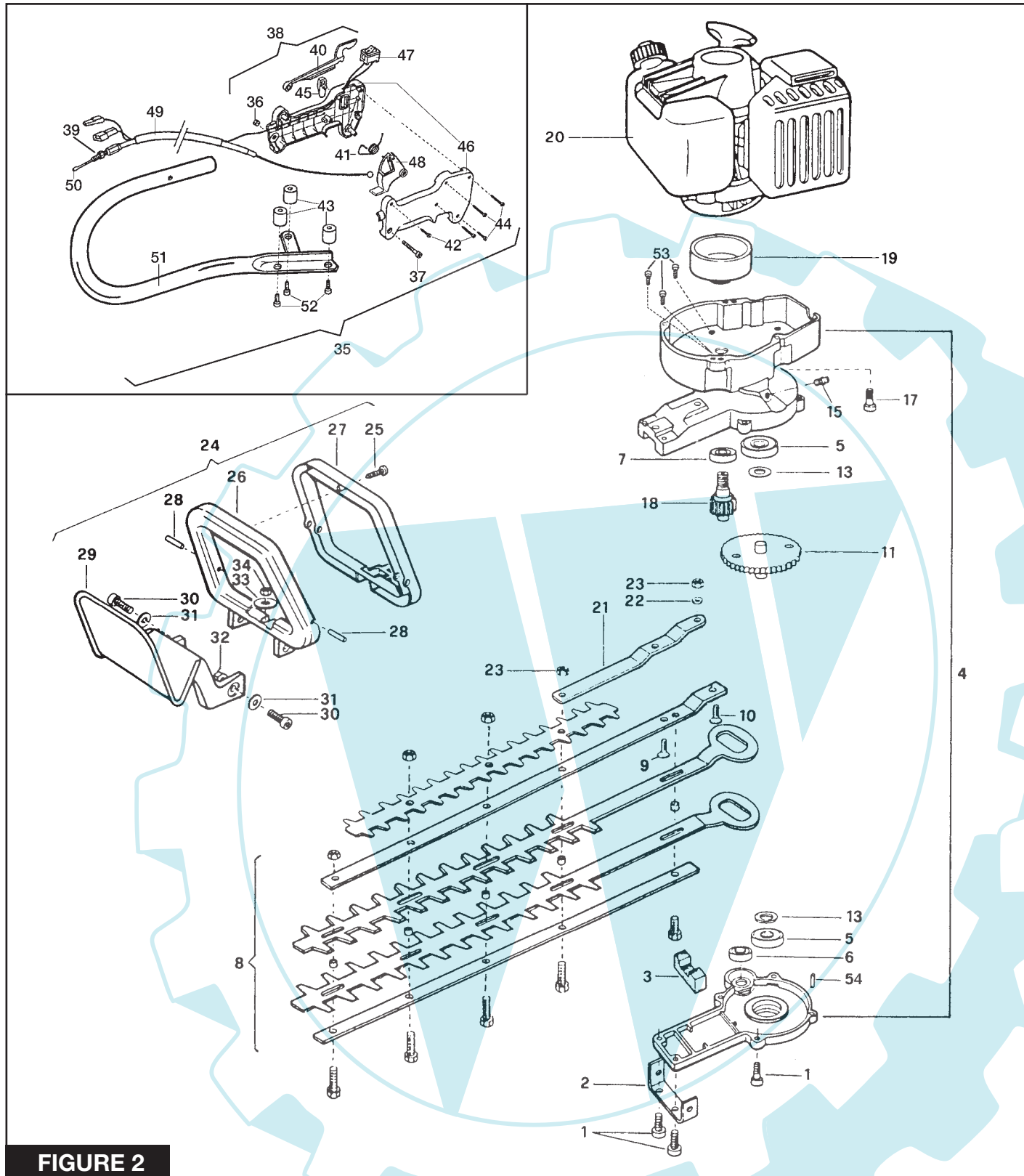


FIGURE 2

	PN McC	PN ELX															
1	229077	538229077	M5x18	6	18	229914	538229914	1	32	235912	538235912	2	46	● 241293	538241293	1	
2	229910	538229910		1	C19	242142	538242142	1	33	235107	538235107	1	C47	● 241294	538241294	1	
C 3	229970	538229970		1	20	FIGURE 1		1	34	229208	538229208	1	48	● 241295	538241295	1	
4	248113	538248113		1	21	229911	538229911	1	35	242409	538242409	1	C49	● 242405	538242405	1	
5	● 228958	538228958		2	22	236529	538236529	1	36	● 235216	538235216	1	C50	● 242408	538242408	1	
6	● 235914	538235914		1	23	229208	538229208	2	37	● 235804	538235804	1	51	● 242403	538242403	1	
7	● 235897	538235897		1	24	225627	538225627	1	38	● 242404	538242404	1	52	● 236512	538236512	3	
8	FIGURE 3				25	● 227251	538227251	1	39	● 229207	538229207	1	53	● 235911	538235911	3	
9	228924	538228924	M5x20	1	26	● 229761	538229761	1	40	● 229820	538229820	1	54	● 236365	538236365	2	
10	229972	538229972	M5x25	1	27	● 229762	538229762	1	41	● 240091	538240091	1					
C11	229919	538229919		1	28	● 229772	538229772	2	42	● 240618	538240618	2					
13	235164	538235169		2	29	229760	538229760	1	C43	● 235987	538235987	3					
15	228861	538228861		1	30	235214	538235214	M6x20	2	44	● 240833	538240833	3				
17	235801	538235801	M4x16	4	31	236936	538236936	2	45	● 241292	538241292	1					

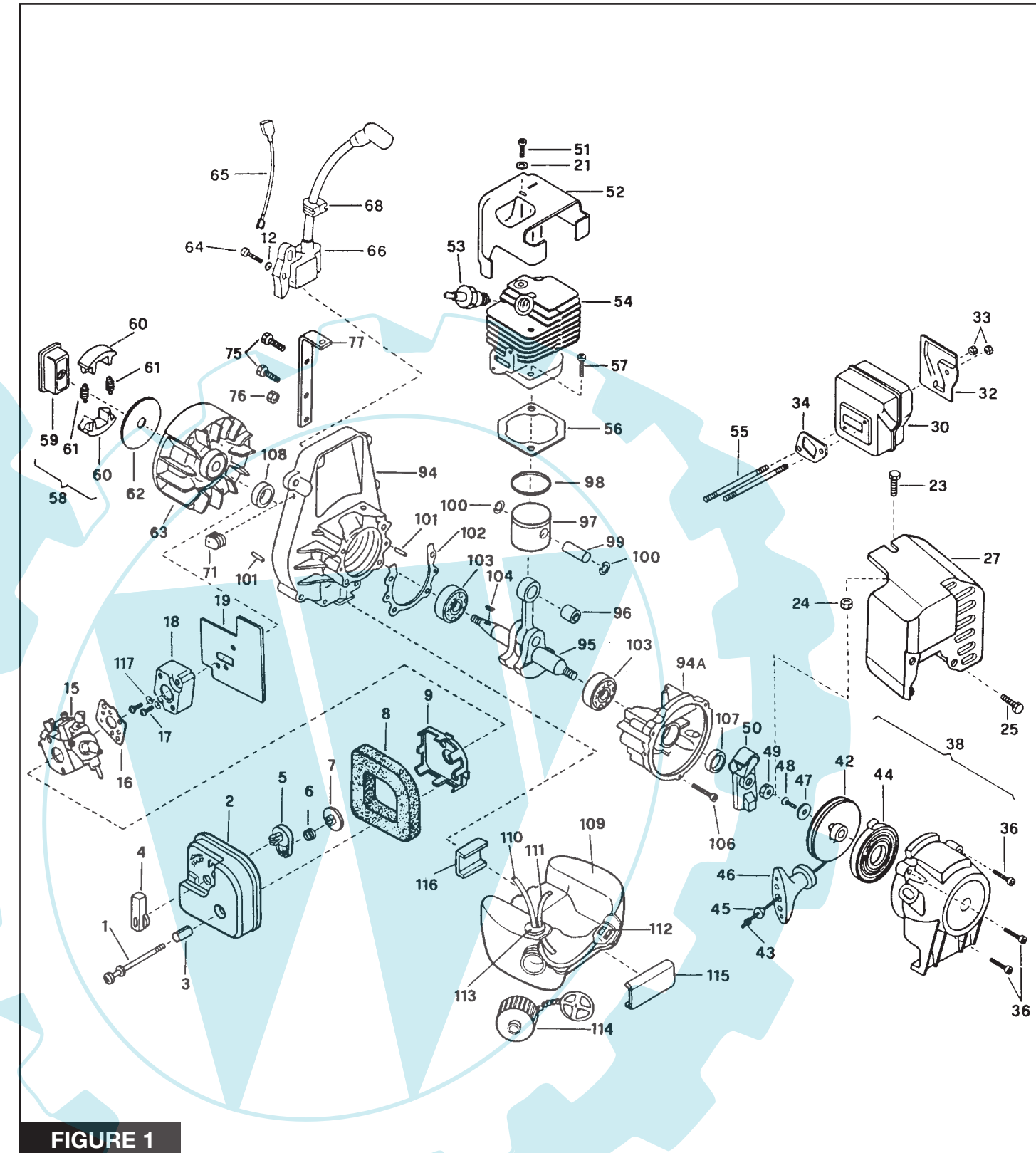


FIGURE 1

	PN McC	PN ELX																
1	227274	538227274	M5x60	2	24	235431	538235431	1	50	241784	538241784	1	68	236322	538236322	1		
C 2	241677	538241677		1	25	241976	538241976	M4x12	1	51	236381	538236381	M5x10	1	71	241607	538241607	1
3	241705	538241705		2	27	229103	538229103		1	52	241757	538241757		1	75	241976	538241976	M4x12
4	235819	538235819		1	26	235612	538235612		3	A53	92879	538092879		1	76	235431	538235431	1
5	235820	538235820		1	30	242131	538242131		1	C54	302000	538302000		1	77	228884	538228884	1
6	235822	538235822		1	C34	241799	538241799		1	55	241804	538241804		2	94	241720	538241720	1
7	241602	538241602		1	33	235642	538235642		2	B56	241598	538241598		1	94A	241748	538241748	1
B 8	241640	538241640		1	36	241963	538241963	M4x22	3	57	236933	538236933	M6x18	2	95	241805	538241805	1
9	241704	538241704		1	C38	241614	538241614		1	B58	241792	538241792		1	C96	● 235742	538235742	1
12	235248	538235248		2	B42	● 241620	538241620		1	59	● 241789	538241789		1	C97	248177	538248177	1
C 15	FIGURE 4				A43	● 241746	538241746		1	60	● 241790	538241790		2	B98	● 240002	538240002	1
A 16	241600	538241600		1	B44	● 241619	538241619		1	A61	● 241794	538241794		2	99	● 241735	538241735	1
17	235806	538235806	M5x20	2	45	● 235612	538235612		1	62	241604	538241604		1	100	● 235008	538235008	2
C 18	241750	538241750		1	46	241778	538241778		1	63	241796	538241796		1	101	241597	538241597	4
B 19	241643	538241643		1	47	● 241703	538241703		1	64	235806	538235806	M5x20	2	102	241595	538241595	1
21	235248	538235248		1	48	● 300294	538300294		1	65	241606	538241606		1	103	241594	538241594	2
23	241976	538241976	M4x12	1	49	241624	538241624		1	C66	241749	538241749		1	C104	227631	538227631	1

A = high moving - alta rotazione - haute demande - große Nachfrage B = medium moving - media rotazione - moyenne demande - mittelmäßige Nachfrage C = slow moving - bassa rotazione - basse demande - wenige Nachfrage